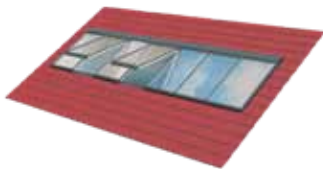


GLASOLUX

Tageslichtsysteme

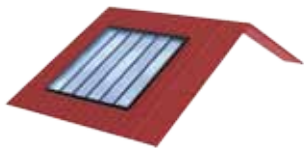


Modular roof windows



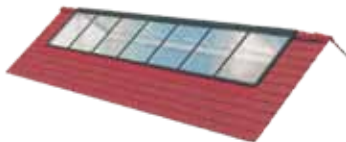
Roof light

Modular rows of windows for greatest possible design, irrespective of the chosen roof pitch



Panoramic windows

Large modular rooflight for a sloped roof. Roof glazing for maximum light output and view



Double pitch rooflight

The right decision, unless there is no standard roof pitch – even with different pitches on either side



Saddle roof

For max. light efficiency and air ventilation if you have a flat roof
From 25° up to 60°

Modular GLASOLUX roof windows that allow additional light incidence

Roof windows for generous surface glazing. Three constructions – many options!



Elegant	invisible opening windows when closed
Discreet	inner profile facing width 40 mm, total facing width 50 mm
Flexible	series production, made-to-measure
Individual	inside and outside in RAL-colour or anodically oxidised shade of choice
Well insulated	Uw value up to 0.79 W/m ² K
Fast	can be completely assembled within a day*

GLASOLUX roof glazing is a glass roof system based on glazing units with thermally separated aluminum profiles. The strengths of the **GLASOLUX** roof glazing system lie in the sleek design and low profile heights. Those lead to much more light incidence – a great benefit compared to other roof glazing systems.

The **GLASOLUX** roof glazing systems provide adequate and natural light incidence, and a unique ventilation option, especially with living spaces exposed to the sun. Furthermore they can be easily integrated into the energy-efficient design of modern buildings.

The company **GLASOLUX** focuses on sustainability and uses recyclable materials for all their roof glazing systems.

GLASOLUX roof glazing systems are available in three versions, each of which allow diverse variation and possibilities:

Roof windows

• Roof glazing for steep roofs	15 - 90 degrees
• Panoramic windows	15 - 90 degrees
• Pent roof	15 - 60 degrees
• Wall pent roof	15 - 60 degrees
• Sawtooth roof / shed roof	25 - 90 degrees

Pitch rooflight

• Double pitch rooflight	25 - 60 degrees
• Pitch rooflight (2 levels)	25 - 60 degrees

Saddle roof

• Saddle roof (gable closed)	25 - 60 degrees
• Saddle roof (gable glazed)	25 - 60 degrees

Opening vents

Due to the possibility of using every second unit as an opening vent, each type can also be used as a ventilation window or even as a smoke and heat vent window.

In addition, the opening vents, which are not visible when closed, can also be integrated into almost any building control system.

Assembling

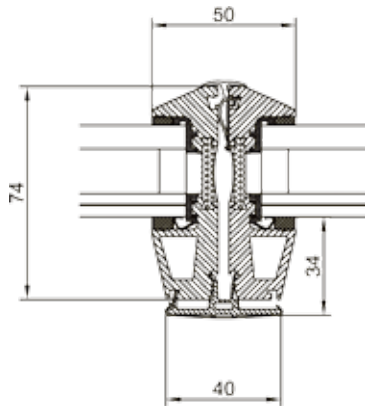
All **GLASOLUX** roof glazing systems are so far factory-prepared that assembly work in the construction area is reduced to a minimum. Complete assembly usually takes only a day and can be carried out by **GLASOLUX** staff all over Europe.

* up to a size of approx. 6 x 3 m (W x L)

GLASOLUX A74 (2-layer glazing)

Fine profile dimensions for a slimline look

The GLASOLUX profile system A74...



Technical specifications:

Roof pitch

- Strip roof glazing: 15 bis 90 degrees
- Pitch rooflight / saddle roof: 25 bis 60 degrees

Profile

Aluminum-plastic composite (thermally separated)

- Interior view: 40 mm
- Exterior view: 50 mm

Colour

- Outside: Natural (anodically oxidised shade E6/EV1 | EURAS C-0)
- Inside: Natural (anodically oxidised shade E6/EV1 | EURAS C-0)

Vent dimensions

- Width: 250 – 1200 mm
- Length: 250 – 2900 mm
- Area: max. 2 m²
- U_g value: 1,10 W/m² K (2-layer)
- U_w value: 1,60 W/m² K

- Opening vents: drive is visible inside
(every second vent can be used as an opening vent)
- Range: 300 mm (500 / 700 mm on demand)
- Drive: 24 volt / 3A

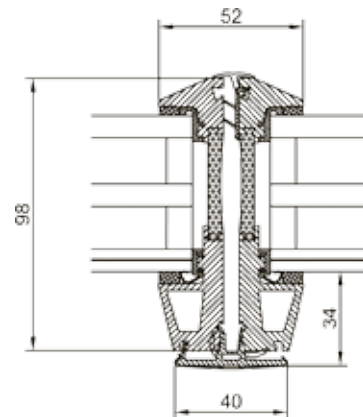
Optional

- RAL-Classic of your choice (one- or two-coloured)
- Solar control glazing
- Interior solar protection (motor-driven – 24 volt)
- Exterior solar protection (motor-driven – 230 volt)
- Power supply 230/24 volts
- Control by weather station

GLASOLUX A98 (3-layer glazing)

Discreet profile dimensions for high thermal insulation

The GLASOLUX profile system A98...



Technical specifications:

Roof pitch

- Strip roof glazing: 15 – 90 degrees
- Pitch rooflight / saddle roof: 25 – 60 degrees

Profile

Aluminum-plastic composite (thermally separated)

- Interior view: 40 mm
- Exterior view: 52 mm

Colour

- Outside: Natural (anodically oxidised shade E6/EV1 | EURAS C-0)
- Inside: Natural (anodically oxidised shade E6/EV1 | EURAS C-0)

Vent dimensions

- Width: 260 – 1200 mm
- Length: 260 – 3000 mm
- Area: max. 3 m²
- U_g value: 0,50 W/m² K (3-layer)
- U_w value: 0,79 W/m² K

- Opening vents: drive is concealed from 645 mm
(every second vent can be used as an opening vent!)
- Range: 300 mm (500 / 700 mm on demand)
- Drive: 24 volt / 3A

Optional

- RAL-Classic of your choice (one- or two-coloured)
- Solar control glazing
- Interior solar protection (motor-driven – 24 volt)
- Exterior solar protection (motor-driven – 230 volt)
- Power supply 230/24 volts
- Control by weather station

Daylight and fresh air present important sources to reach comfort and well-being. With these objectives in mind we have designed our **GLASOLUX** roof windows.

Our roof glazing systems show the smart way to use natural light at its very best. Here we pay special attention to design and aesthetics, reflected among other things, in the slender glazing bars (interior view: 40 mm, exterior view: 50 mm), the attractive look and in the concealed opening device.

The roof glazing systems are manufactured in **fixed glazed** and **openable** designs.

All in all, our roof glazing systems provide a simple, rapid and environmentally friendly way to bring natural light into buildings. In addition, they provide an outward looking view towards nature. The additional ventilation option also creates optimal conditions for a positive and healthy room climate.

Guarantee:

Five-year product warranty on our roof glazing. Two-year product warranty on our opening and automatic devices.

Light and air through the roof!