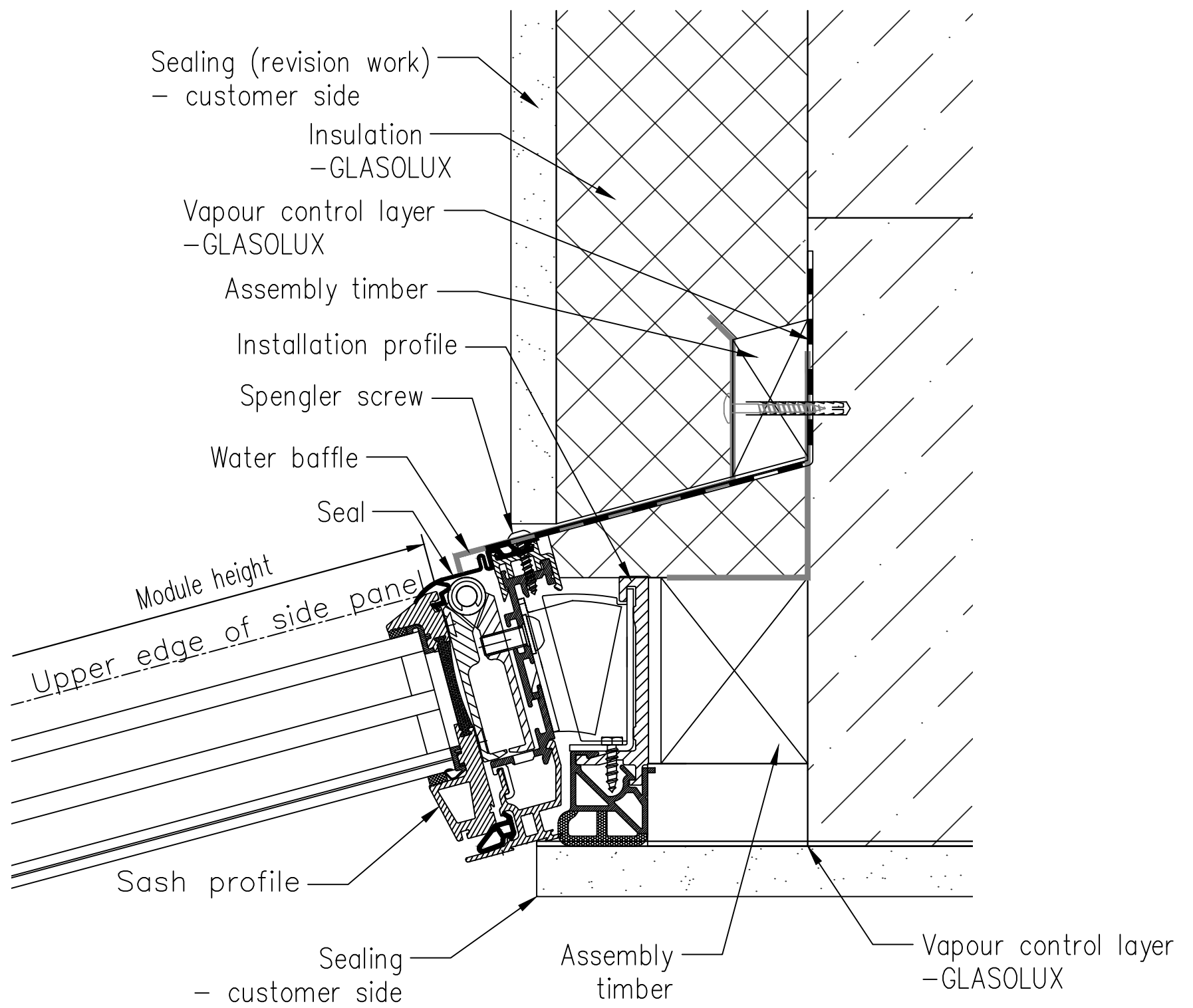
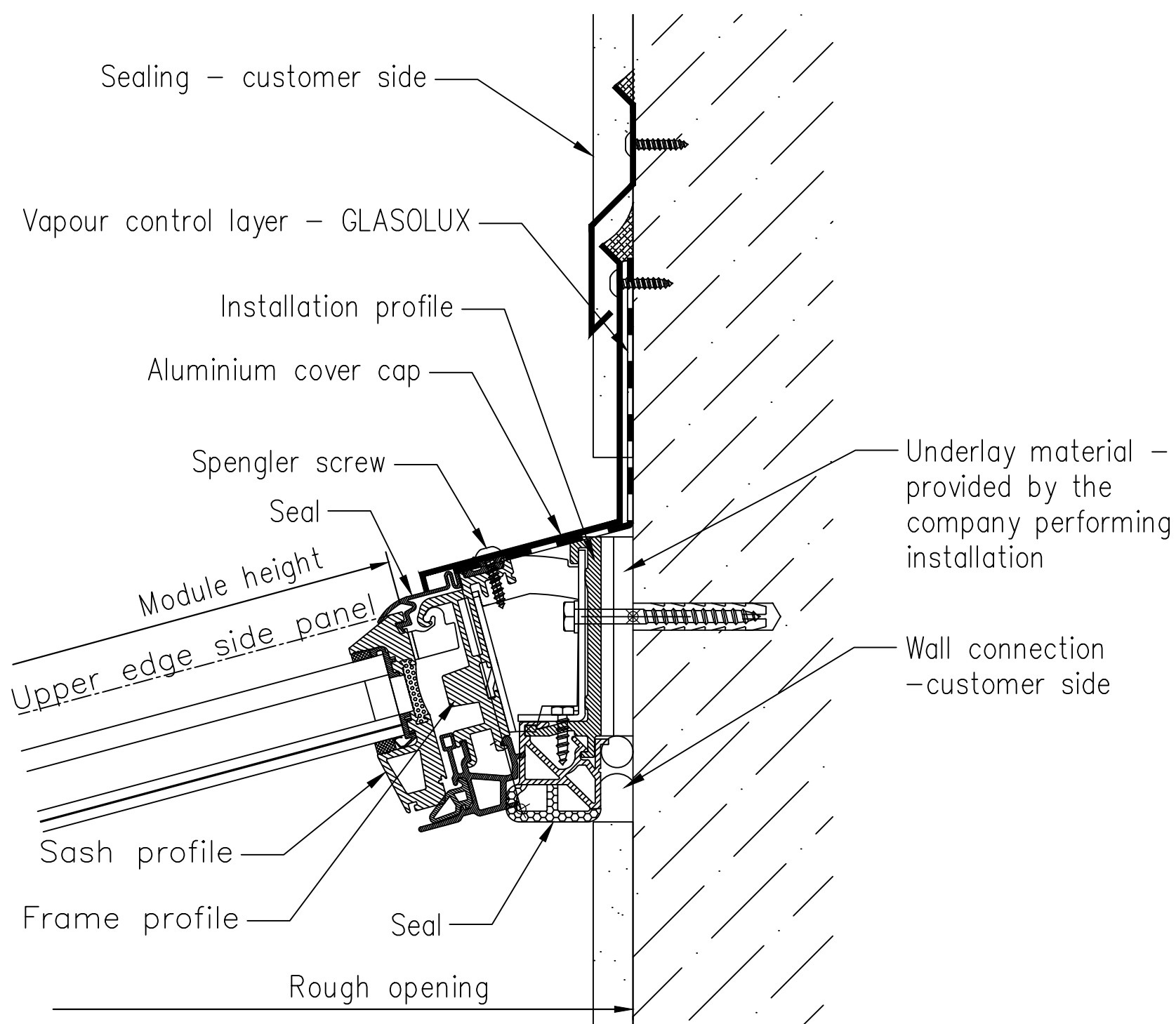


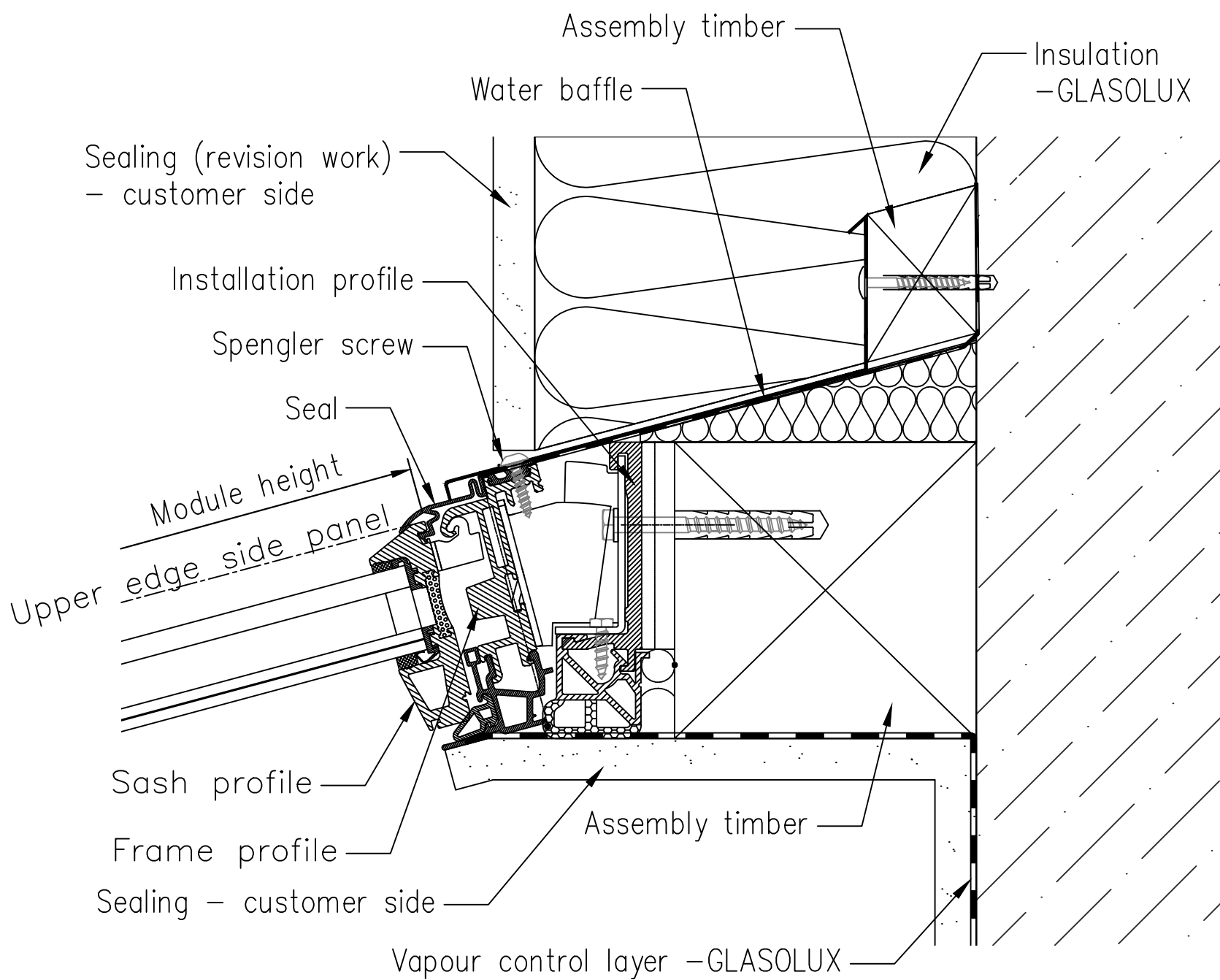
# A98 Continuous-rooflight - ridge - wall connection



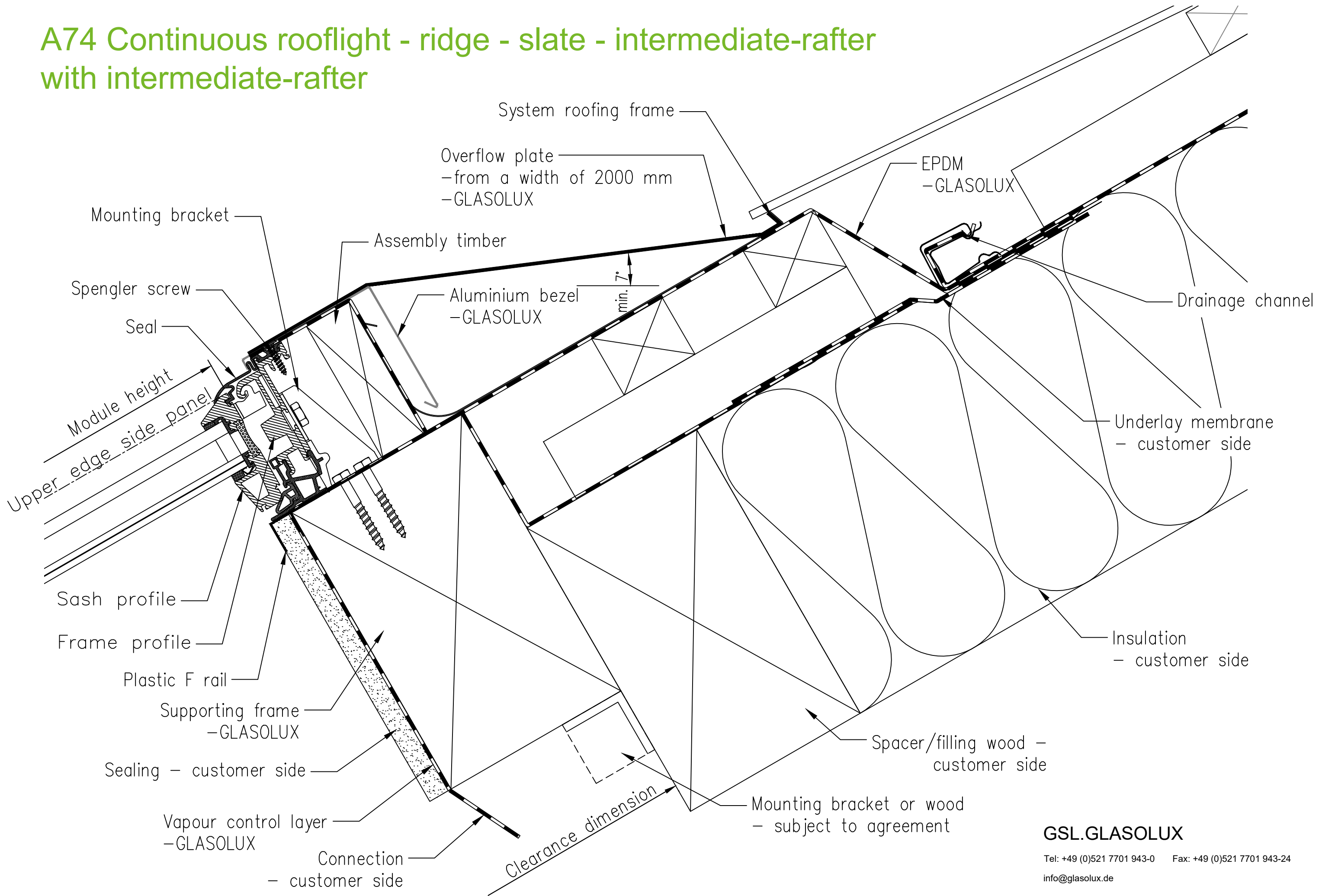
# A74 Continuous rooflight - ridge - wall connection - var 1



# A74 Continuous rooflight - ridge - wall connection - var 2



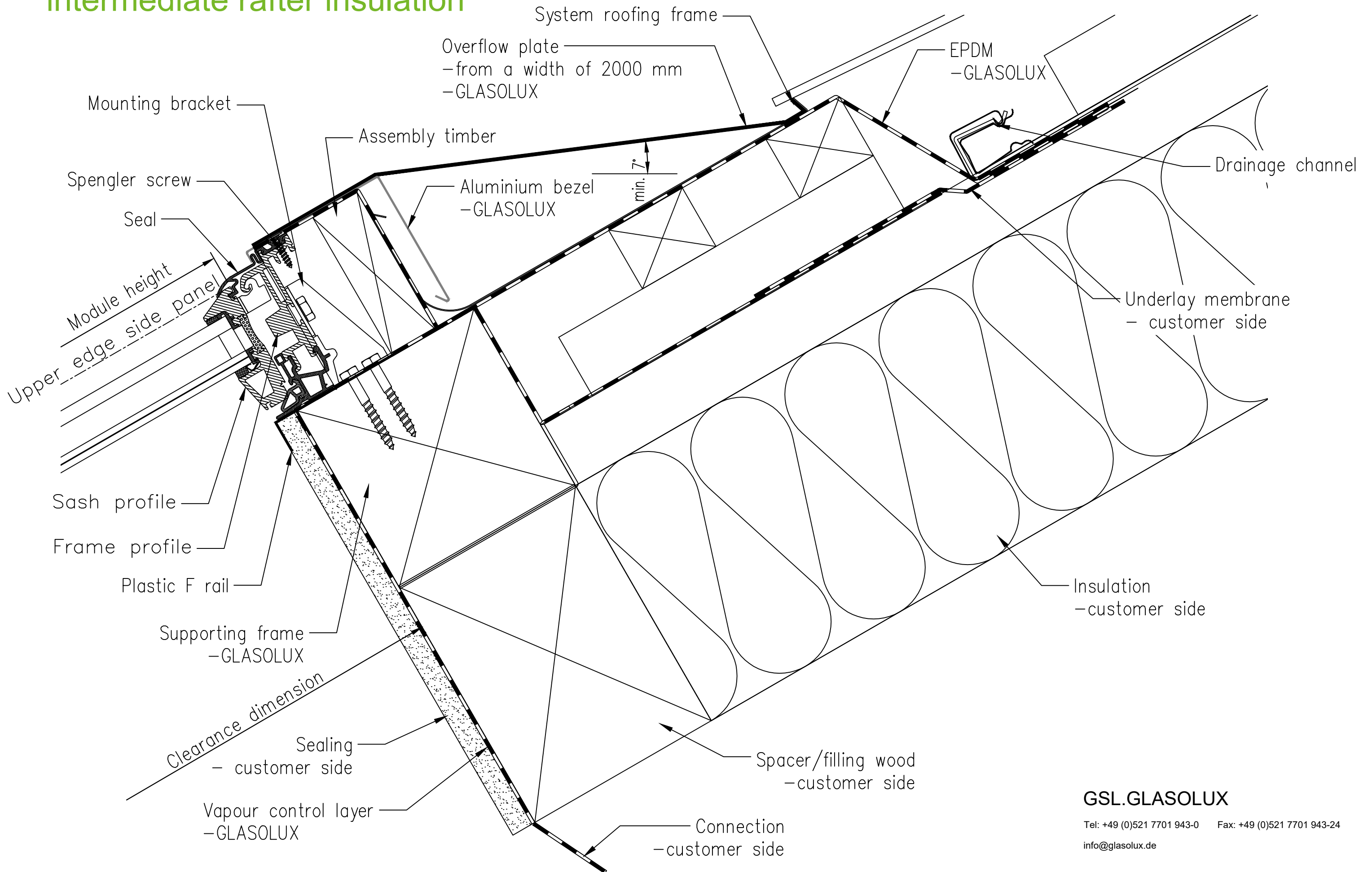
# A74 Continuous rooflight - ridge - slate - intermediate-rafter with intermediate-rafter



**GSL.GLASOLUX**

Tel: +49 (0)521 7701 943-0 Fax: +49 (0)521 7701 943-24  
 info@glasolux.de

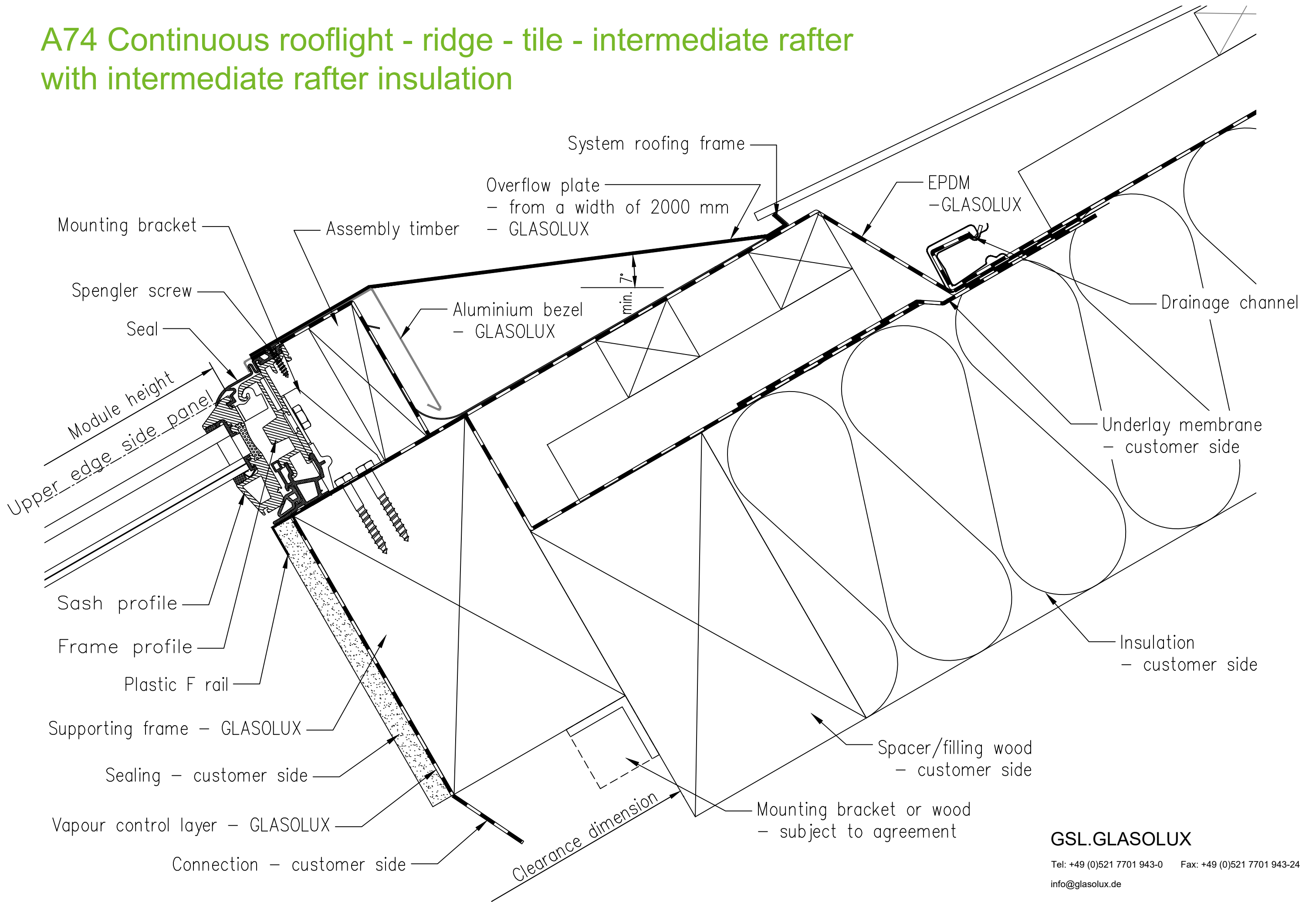
# A74 Continuous rooflight - ridge - slate - above-rafter with intermediate rafter insulation



**GSL.GLASOLUX**

Tel: +49 (0)521 7701 943-0 Fax: +49 (0)521 7701 943-24  
 info@glasolux.de

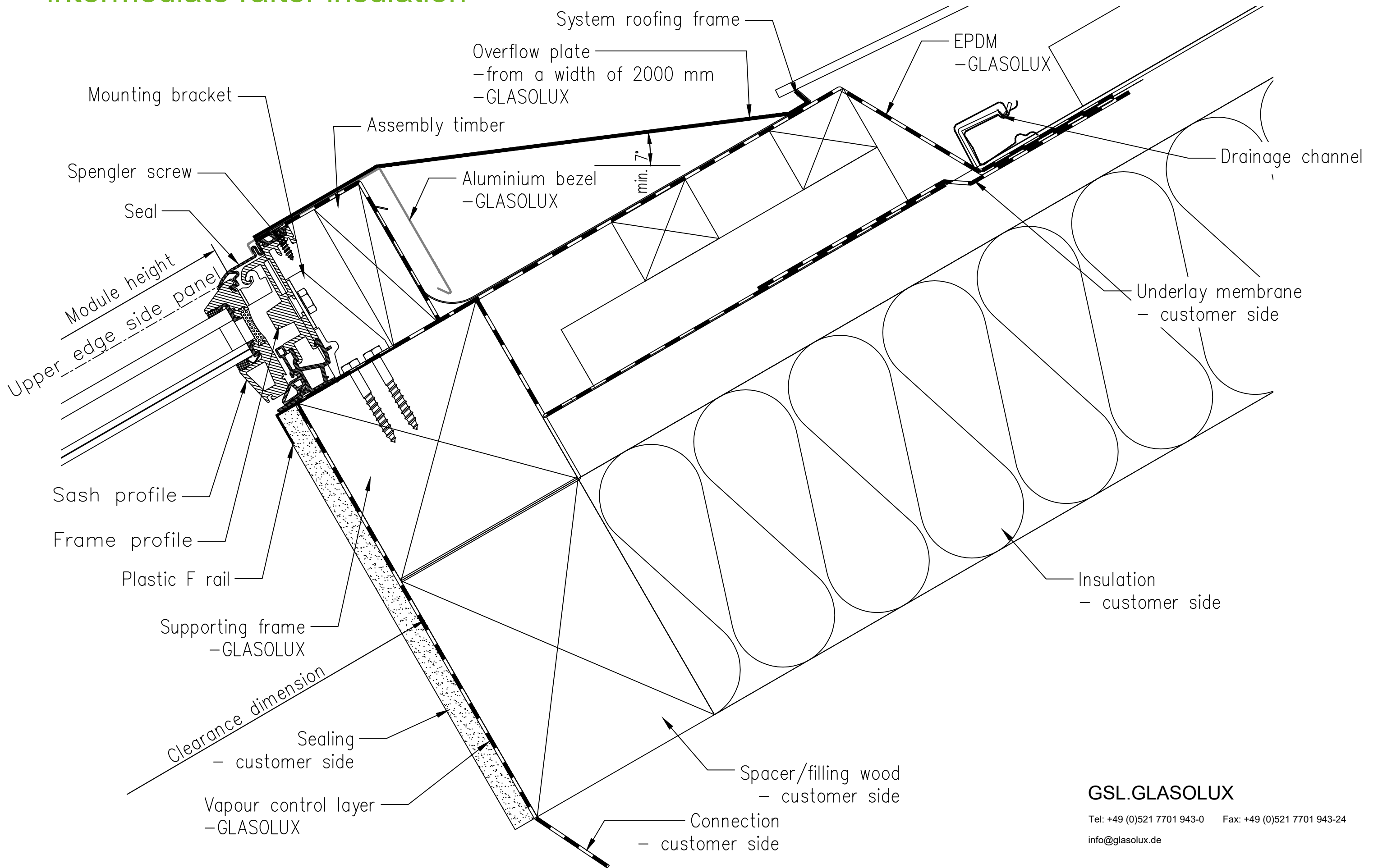
# A74 Continuous rooflight - ridge - tile - intermediate rafter with intermediate rafter insulation



**GSL.GLASOLUX**

Tel: +49 (0)521 7701 943-0 Fax: +49 (0)521 7701 943-24  
 info@glasolux.de

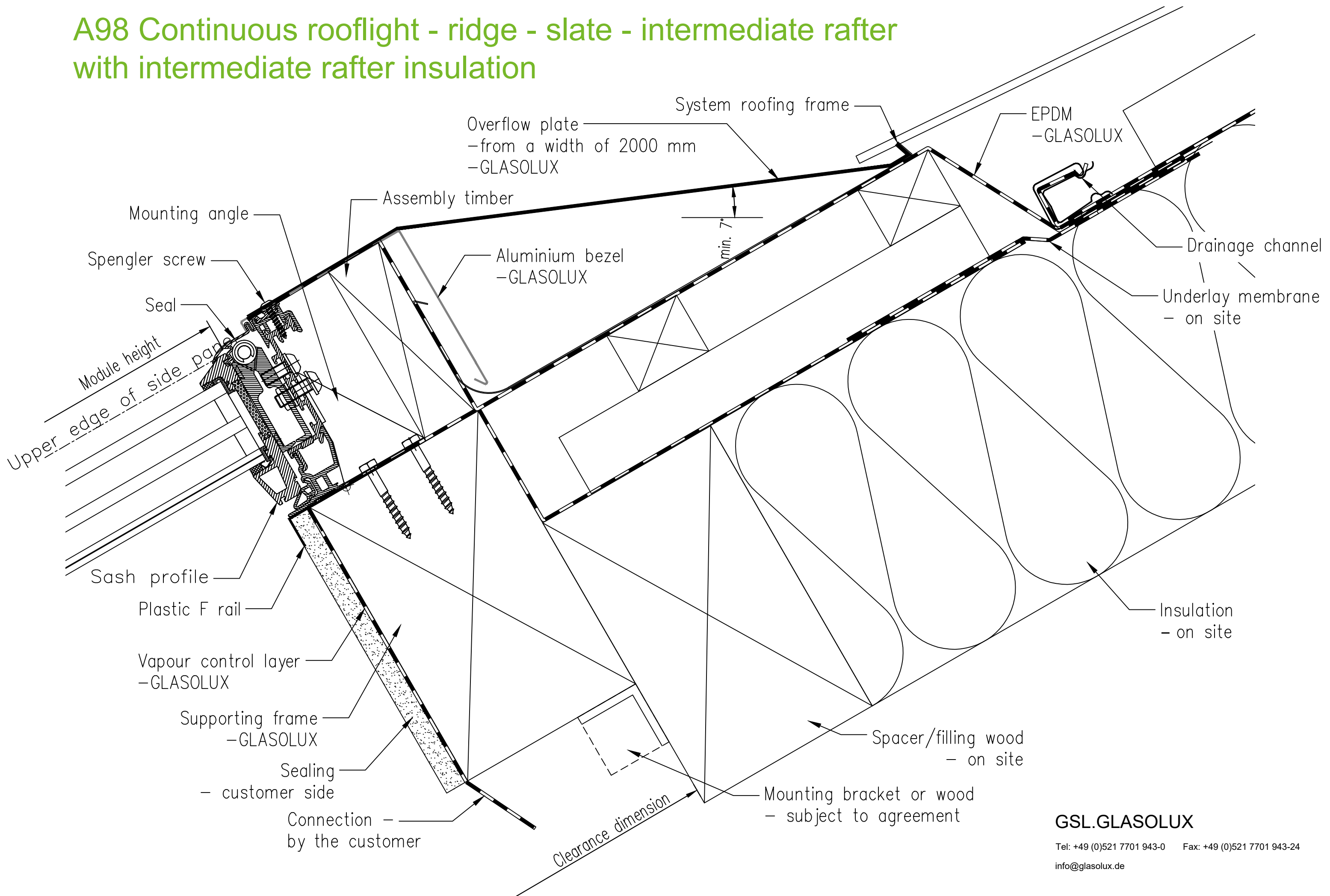
# A74 Continuous rooflight - ridge - tile - above-rafter with intermediate rafter insulation



**GSL.GLASOLUX**

Tel: +49 (0)521 7701 943-0 Fax: +49 (0)521 7701 943-24  
info@glasolux.de

# A98 Continuous rooflight - ridge - slate - intermediate rafter with intermediate rafter insulation



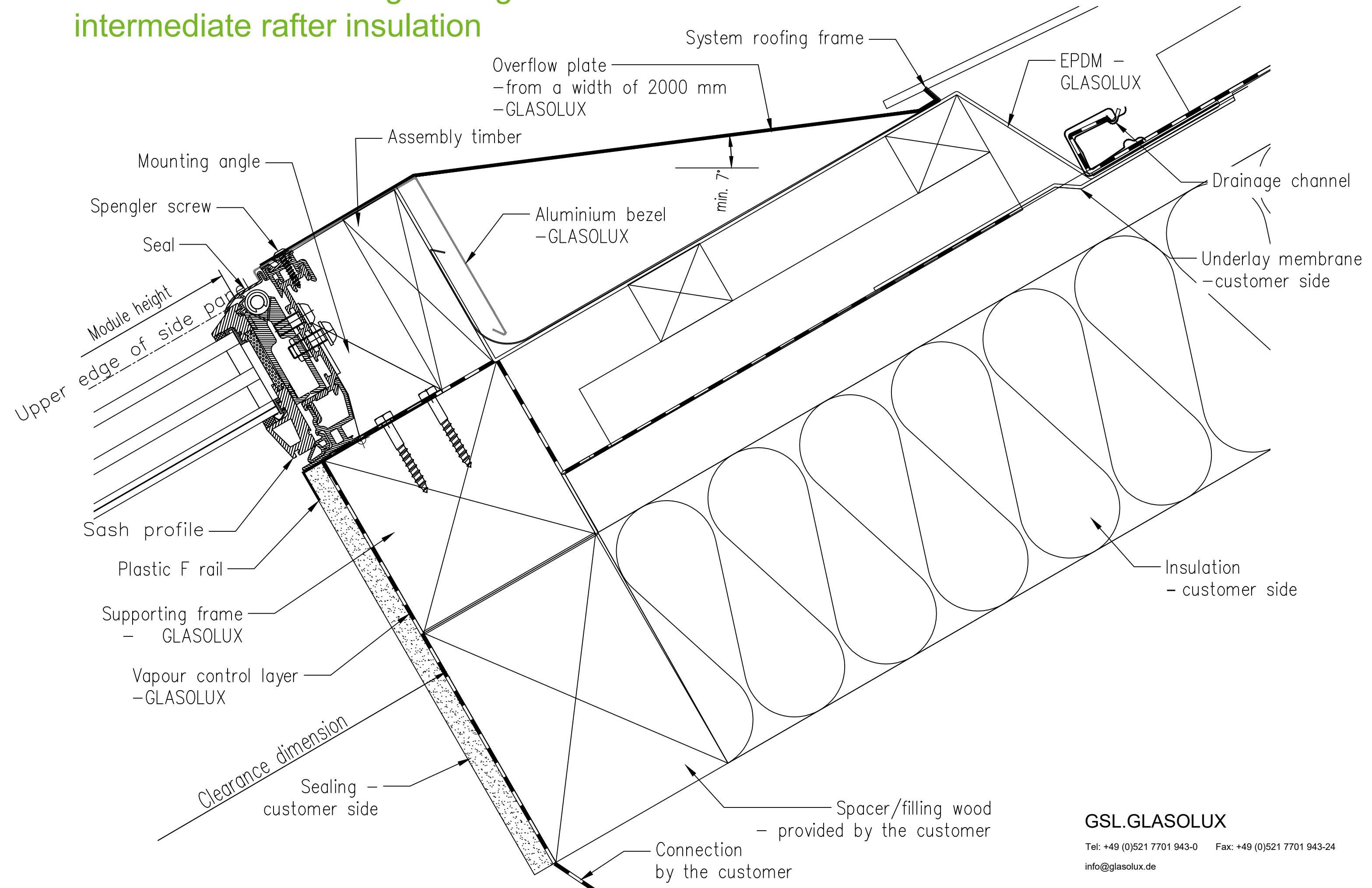
**GSL.GLASOLUX**

Tel: +49 (0)521 7701 943-0 Fax: +49 (0)521 7701 943-24

info@glasolux.de



# A98 Continuous rooflight - ridge - slate - above-rafter with intermediate rafter insulation

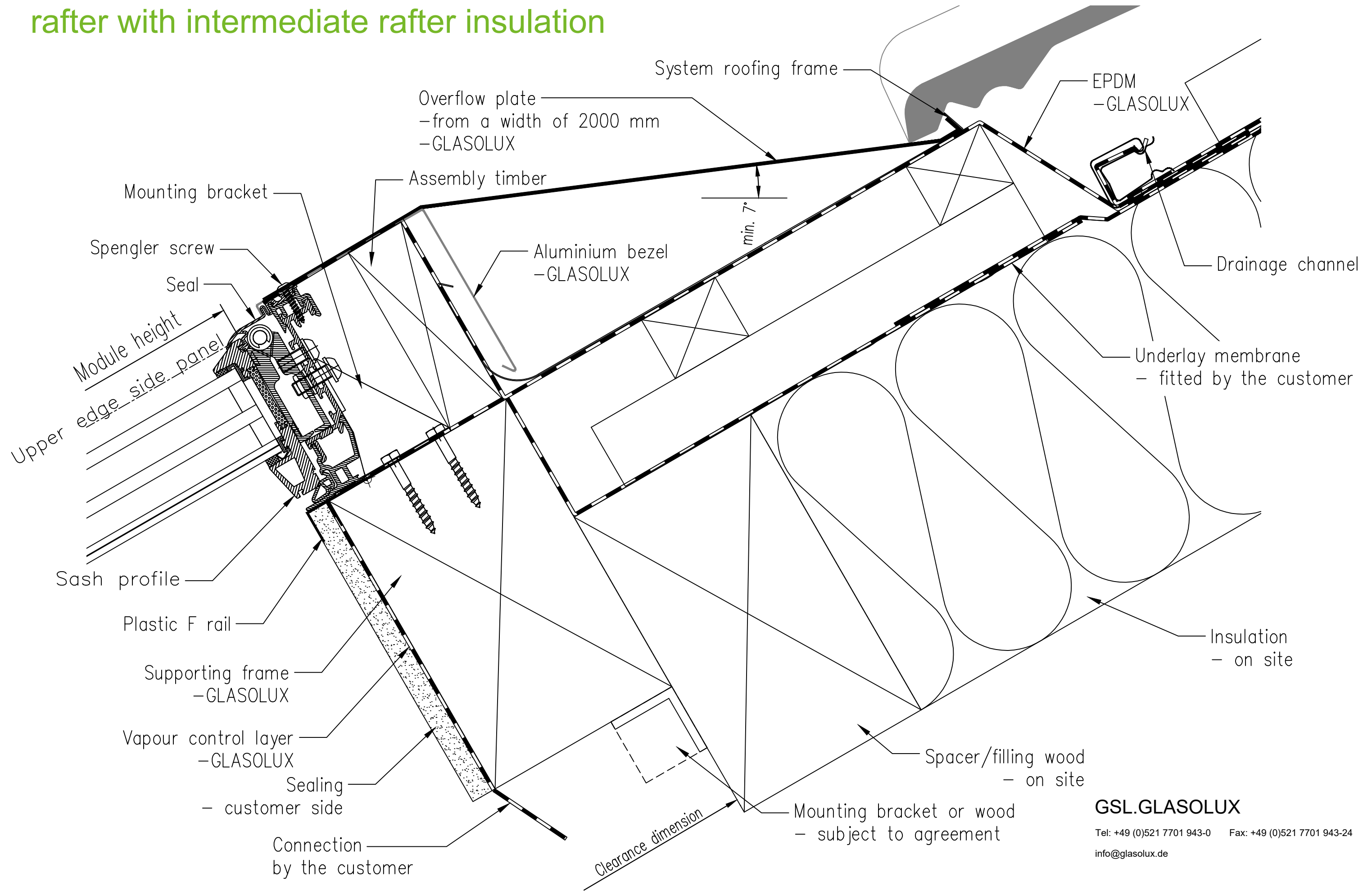


**GSL.GLASOLUX**

Tel: +49 (0)521 7701 943-0 Fax: +49 (0)521 7701 943-24

info@glasolux.de

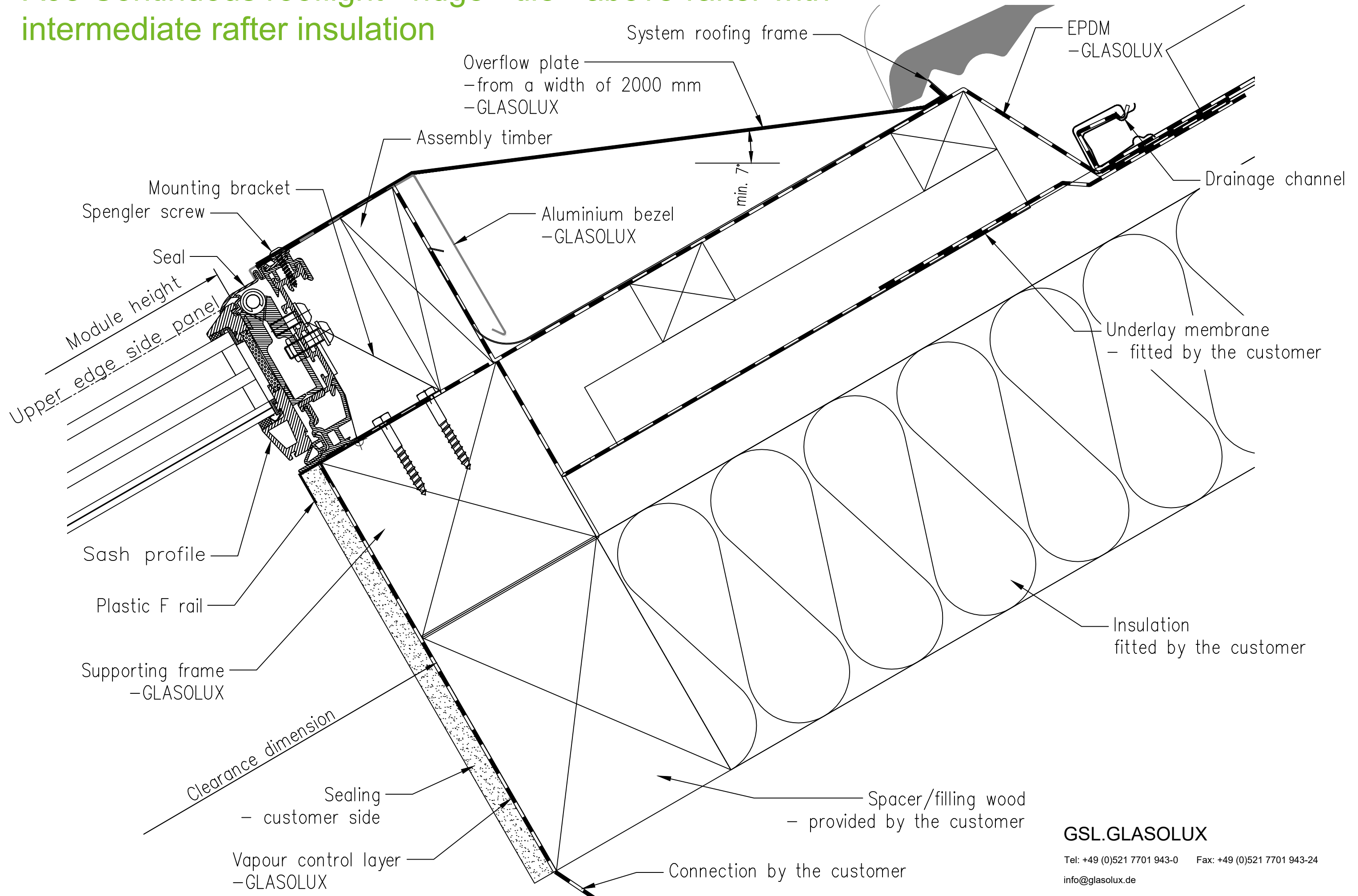
# A98 Continuous rooflight - ridge - tile - intermediate rafter with intermediate rafter insulation



**GSL.GLASOLUX**

Tel: +49 (0)521 7701 943-0 Fax: +49 (0)521 7701 943-24  
info@glasolux.de

# A98 Continuous rooflight - ridge - tile - above-rafter with intermediate rafter insulation



**GSL.GLASOLUX**

Tel: +49 (0)521 7701 943-0 Fax: +49 (0)521 7701 943-24

info@glasolux.de